

Installation Specification

Surface Mount , Above Header

Front View

Opening width plus "Side Track" clearances.
Allow a minimum of 2 1/4" per "Side Track".
Maximum width, 22' depending on screen fabric.

- Screen infill available in a variety of fabrics:**
- Insect Protection
 - Sun Control
 - Privacy
 - Black-out
 - Clear Vinyl Windows

Maximum Height
16' 0"
Depending on screen fabric

2 1/4"

2 1/4"

4.8" Cassette

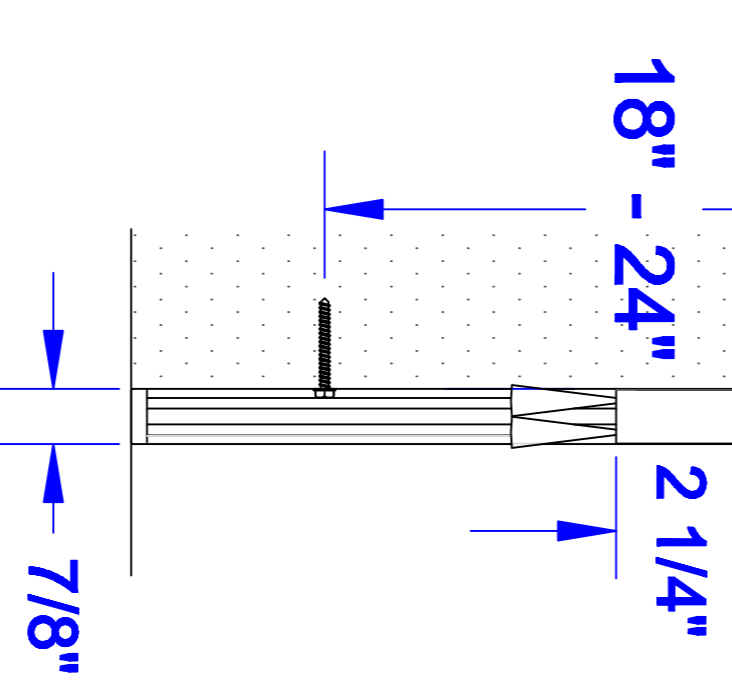
Clearance for Weight Bar above opening.

Side Track

Screen Fabric

Weight Bar & Brush

Opening Width



Side View

Cassette & Weight Bar Detail

Clearance for weight bar and brush above opening

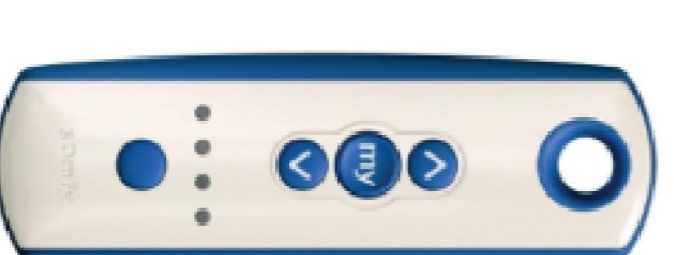
7/8"

Side Track Detail

Opening Width

Removable cover

Screen Unit Width
= (Opening + Side Tracks)



Motor

- * 120V AC 60Hz "Somfy" Motor
- * Index Protection Rating: IP 44
- * Rated Current 1.3A to 2.1A
- * c/w Object detection or clutch
- Operators**
- * Single channel hand-held remote control.
- * Multi-channel hand-held remote control.
- * Somfy "myLink" app for smart-phone.
- * Compatible for home automation systems



Item	Quantity	Title/Name, designation, material, dimension etc	Article No./Reference
Trainer			
Designed by	PS	File name	Date
Checked by	PS	H4800 Surface Mount	16/04/2018
Approved by	PS	09/21/2018	1/1
H4800 Surface Mount			Scale
Edition 1			Sheet
H4800-S			1/1